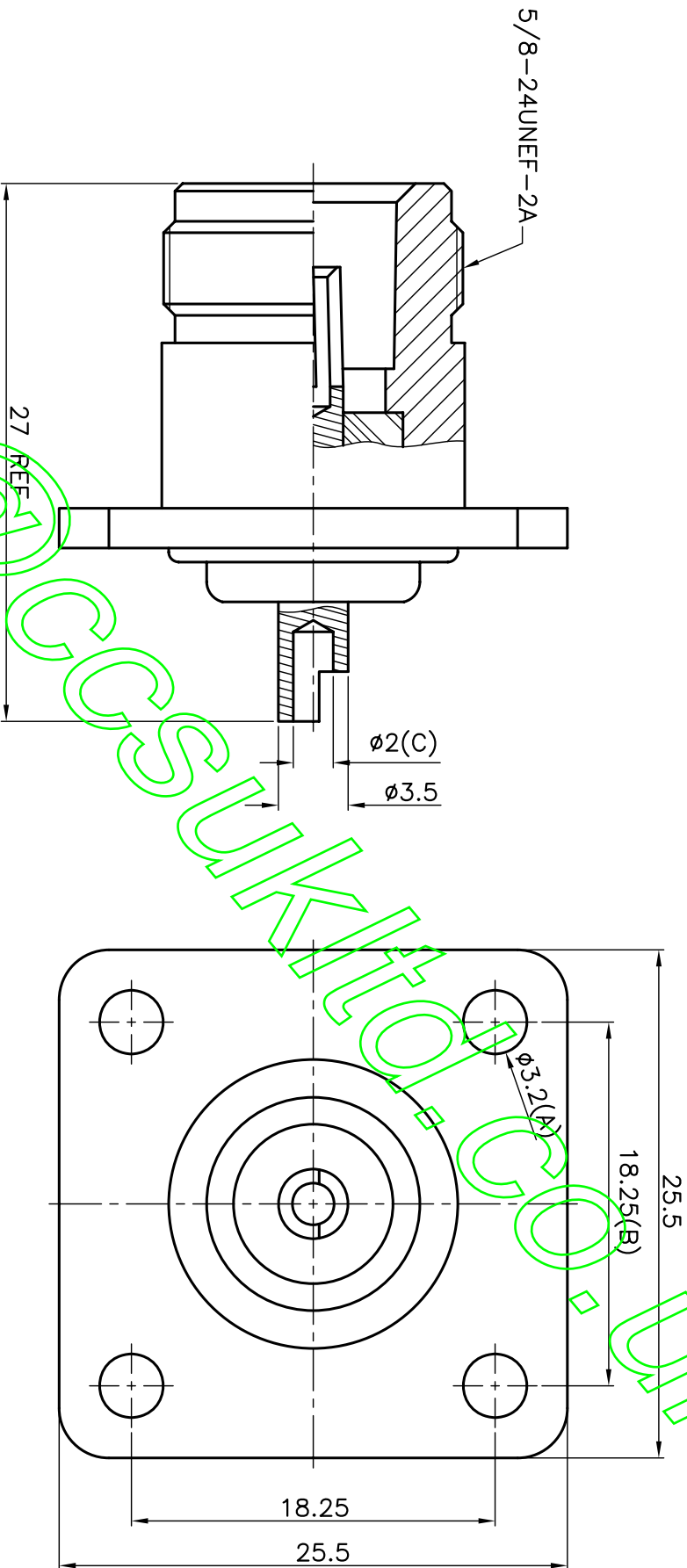


ISS	REVISIONS	DESCRIPTION \ DATE

RoHS COMPLIANT



CONNECTORS CABLES
HBS
SPECIALISTS LTD.

TITLE: N FEMALE SOLDER PANEL

PART NO: NPAUSS50

DRAWING NO:

APRD:

CHKD:

DR:

DATE: 06/29/11"

SHEET: .

UNLESS OTHERWISE SPECIFIED TOLERANCES

0.5-6 = ±0.2
 >6-30 = ±0.4
 >30-120 = ±0.6
 >120-315 = ±1.1
 >315-1000 = ±1.6
 ANGLES = ±5°

UNIT: mm

SCALE: 3/1

SCALE: 3/1

CONTACT PIN	BRASS	GOLD	KA/2005/10527 \ KA/2005/30993
INSULATOR	DELFIN	WHITE	KA/2005/10531
BODY	BRASS	NICKEL	KA/2005/10527 \ KA/2005/60362
DESCRIPTION	MATERIAL	FINISH	SGS REPORT NO

ISO 9001 certificate